

PROJECT

1

WOODWORKS FOR THE NOVICE CD HOLDER

This project isn't difficult to build, and it's adjustable so it can hold from one to 23 compact discs or one to 10 video tapes. While making it, you'll learn how to square a board, machine like parts, round an edge with either a file or a router table, do proper sanding procedures, and apply an oil stain for a beautiful finished piece.

TOOLS AND MATERIALS REQUIRED

- Pencil
- Try square or combination square
- Hand saw
- 3/8" forster bit, file
- Clean cloths
- High quality brush
- Two pieces of wood (oak, walnut, cherry or maple are preferred)
- Three 11 3/4" pieces of 3/8" hardwood dowel rod (species should match the other pieces of wood)
- 120 and 150 grit sandpaper

FINISHING PRODUCTS (Choose one)

- WATCO® Danish Oil
- MINWAX® Wood Finish and MINWAX Fast-Drying Polyurethane
- MINWAX WOODSHEEN® Gel Stain & Finish
- MINWAX POLYSHADES® One-Step Stain & Polyurethane

OPTIONAL ITEMS

- Band saw or table saw
- Router table with 1/4" roundover bit
- 80 grit sandpaper
- MINWAX Wood Conditioner.

PROCEDURE

I. Shaping Stock

1. Acquire two pieces of wood from instructor (approximately 5/8" x 6" x 6").
2. In pencil, draw a square measuring 5" x 5" on both pieces of wood (use one existing corner, if possible).
3. After being checked by the instructor, cut both pieces to the lines that you drew. (Both pieces should be the same size.)

II. Drilling Holes

1. Lay out holes for dowel rods on one face of one board (see illustration).
2. Tape two pieces together with two-sided tape.
3. Drill 3/8" diameter holes half way through both pieces using a forster bit.
4. Separate pieces and remove any adhesive remaining.
5. Round all edges with either a file and sandpaper or a 1/4" roundover bit in a router table. If you are using a router, round the grain edges first, then round the edges with the grain.

III. Sanding, Staining and Finishing

1. Sand, starting at 120 grit and working up to 150 grit sandpaper. (Start at 80 grit if wood is very rough.) Remove all evidence of sanding dust.
2. Sand dowel rods to 150 grit.
3. Pre-treat soft woods with MINWAX Wood Conditioner.
4. Apply stain and finish:

- 4a. Apply WATCO Danish Oil to all parts per label directions; or
- 4b. Apply MINWAX Wood Finish per label directions. Wait eight hours before applying your first coat of MINWAX Fast-Drying Polyurethane; or
- 4c. Apply WOODSHEEN Gel Stain & Finish, or POLYSHADES Stain & Polyurethane, per label instructions.

IV. Assembly

1. Insert dowel rods, separate ends to snugly hold compact discs or tapes, and enjoy your handiwork!

V. Clean Up

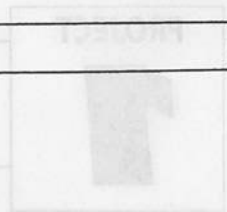
- If you have product left over, wipe the can rim so that product in the rim doesn't dry out and cause lid not to form a tight seal. After sealing, store cans away from heat.
- Clean brushes used for oil-based finishes with mineral spirits; soap and water is all that is needed for brushes used for water clean up products.

VI. Safe Disposal of Rags & Waste

Please be mindful of the safe way to dispose of used rags and other waste. Rags, steel wool and other waste soaked with oil finishes may spontaneously catch fire if improperly discarded. Place rags, steel wool and waste immediately after use in a water-filled metal container. Tightly seal and then dispose of in accordance with local fire regulations. Be sure to keep the container out of reach of children.

TIPS SUMMARY

- Remember to pre-treat soft wood with MINWAX® Wood Conditioner before staining. Use the "fingernail" test if you're not sure what type of wood you're using.
- Always test the stain and finish you have selected on a hidden area of the wood to ensure that the result is what you desire.
- When brushing on stain or protective finish, always brush in the direction of the grain.
- "Tip off" brush strokes to minimize lap marks. Hold the brush at a 45 degree angle and lightly run the bristles over the length of the finish.
- It is critical that you allow the stain to dry the recommended amount of time before applying the first coat of clear finish; otherwise you may get chipping, peeling or bleeding of color. Follow all label directions. Wood stained with MINWAX Wood Finish may be dry in four to six hours and ready for a second coat of stain, but wait at least eight hours before applying the protective finish.



TOOLS AND MATERIALS REQUIRED

- Two pieces of wood
- Oak, walnut, cherry or maple
- Two 11 3/4" pieces of wood
- 130 and 150 grit sandpaper
- High quality brush
- Clean cloths
- 3/8" bore bit file
- Hand saw
- Txy square or combination square
- Pencil

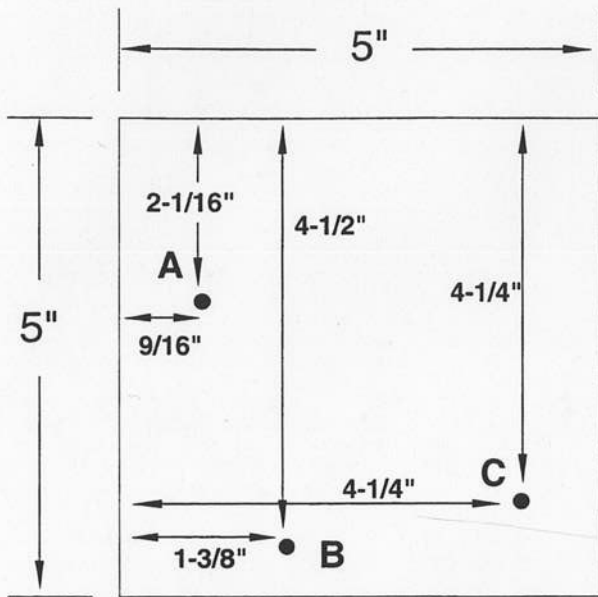
FINISHING PRODUCTS (Choose one)

- WATCO Danish Oil
- MINWAX Wood Finish and MINWAX Fast-Drying Polyurethane
- MINWAX WOODSHEEN Gel Stain & Finish
- MINWAX POLYSHADES One-Step Stain & Polyurethane

PROCEDURE

- I. Shaping Stock**
 1. Acquire two pieces of wood from instructor (approximately 1/8" x 2" x 2").
 2. In pencil, draw a square measuring 7" x 7" on both pieces of wood (use one existing corner, if possible).
 3. After being checked by the instructor, cut both pieces to the size that you draw. (Both pieces should be the same size).
- II. Drilling Holes**
 1. Lay out holes for dowel rods on one face of one board (see illustration).
 2. Tape two pieces together with two-sided tape.
 3. Drill 3/8" diameter holes half way through both pieces using a longer bit.
 4. Separate pieces and remove any adhesive remaining.
 5. Round all edges with either a file and sandpaper or a 1/4" roundover bit in a router table. If you are using a router, round the grain edges first, then round the edges with the grain.
- III. Sanding, Staining and Finishing**
 1. Sand, staining at 150 grit and working up to 150 grit sandpaper (start at 80 grit if wood is very rough). Remove all evidence of sanding dust.
 2. Sand dowel rods to 150 grit.
 3. Pre-treat soft woods with MINWAX Wood Conditioner.
 4. Apply stain and finish.

CD HOLDER

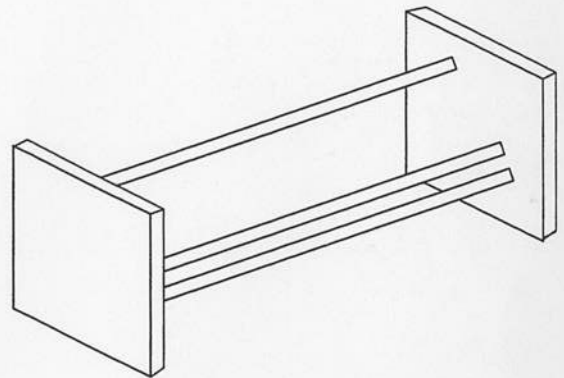


A: down 2-1/16"
over 9/16"

B: down 4-1/2"
over 1-3/8"

C: down 4-1/4"
over 4-1/4"

GRAIN RUNS HORIZONTAL



CD/ TAPE HOLDER

